

RIO™ 1237-RD

SAMPLE NUMBER: 1237L-RD - M - MH20T4 - 120 - CS - LBB

| MODEL | WALL TYPE | SOURCE | VOLTS | FINISH | OPTIONS |
|---|------------------------|---|--|--|--|
| 1237-RD 7" round, open fascia | C Concrete pour | <i>12V Halogen</i> 20T3 20W / T3 / G4 | <i>12V Halogen</i> 120/12 277/12 | <i>Painted</i> BK Black BZ Bronze CS City silver VE Verde WT White | <i>Advance Ship Back Box (select LBB option and order back box separately)</i> LBB Less back box |
| 1237C-RD 7" round, cross fascia | D Drywall | <i>LED</i> 12LED 12W/LED | <i>LED</i> 120/12 | <i>Natural Metal</i> NBR Brass NSS Stainless steel | |
| 1237E-RD 7" round, eyelid fascia | M Masonry | <i>Compact Fluorescent</i> CF13 13W/TTT/GX24q-1 | <i>Compact Fluorescent</i> 120 277 | | |
| 1237L-RD 7" round, louver fascia | | <i>Metal Halide</i> 20T3 20W/T4.5/G8.5 | <i>Metal Halide</i> 120 277 | | |

1237-BB-C Back Box & cover for poured concrete
1237-BB-D Back Box & cover for drywall
1237-BB-M Back Box & cover for masonry

20W (max.) T3 Halogen
12W (max.) LED
Low Voltage (12V)

13W (max.) Compact Fluorescent
Line Voltage

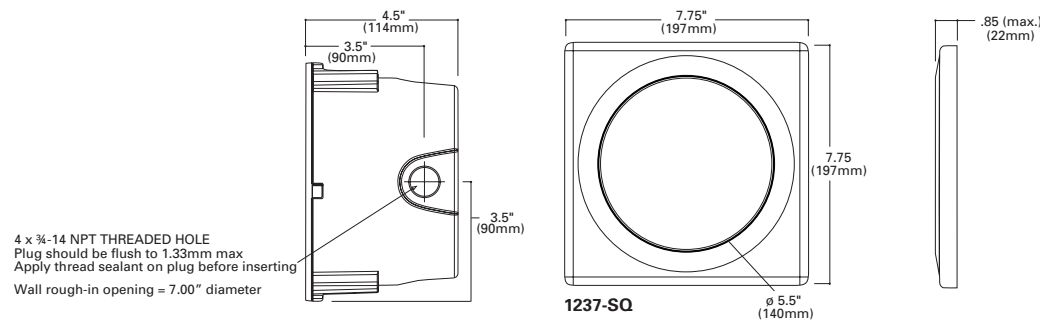
20W T4.5 (max.) Metal Halide

FEATURES

- Integral electronic gear
- Factory assembled Power-Tray™
- Fascia adjusts 20° for proper alignment
- ADA compliant
- IP68 rated outdoor protection
- UL/cUL listed
- Three (3) year warranty

Fixture includes integral electronic gear.
Lamp not included except for LED sources.

NOTE: See 'Accessories' section for Lamps



RIO™ 1237-SQ

SAMPLE NUMBER: 1237L-SQ - C - CF13 - 120 - BZ - LBB

| MODEL | WALL TYPE | SOURCE | VOLTS | FINISH | OPTIONS |
|--|------------------------|---|--|--|--|
| 1237-SQ 7" square, open fascia | C Concrete pour | <i>12V Halogen</i> 20T3 20W / T3 / G4 | <i>12V Halogen</i> 120/12 277/12 | <i>Painted</i> BK Black BZ Bronze CS City silver VE Verde WT White | <i>Advance Ship Back Box (select LBB option and order back box separately)</i> LBB Less back box |
| 1237C-SQ 7" square, cross fascia | D Drywall | <i>LED</i> 12LED 12W/LED | <i>LED</i> 120/12 | <i>Natural Metal</i> NBR Brass NSS Stainless steel | |
| 1237E-SQ 7" square, eyelid fascia | M Masonry | <i>Compact Fluorescent</i> CF13 13W/TTT/GX24q-1 | <i>Compact Fluorescent</i> 120 277 | | |
| 1237L-SQ 7" square, louver fascia | | <i>Metal Halide</i> MH20T4 20W/T4.5/G8.5 | <i>Metal Halide</i> 120 277 | | |

1237-BB-C Back Box & cover for poured concrete
1237-BB-D Back Box & cover for drywall
1237-BB-M Back Box & cover for masonry

20W (max.) T3 Halogen
12W (max.) LED
Low Voltage (12V)

13W (max.) Compact Fluorescent
Line Voltage

20W T4.5 (max.) Metal Halide

FEATURES

- Integral electronic gear
- Factory assembled Power-Tray™
- Fascia adjusts 20° for proper alignment
- ADA compliant
- IP68 rated outdoor protection
- UL/cUL listed
- Three (3) year warranty

Fixture includes integral electronic gear.
Lamp not included except for LED sources.

NOTE: See 'Accessories' section for Lamps